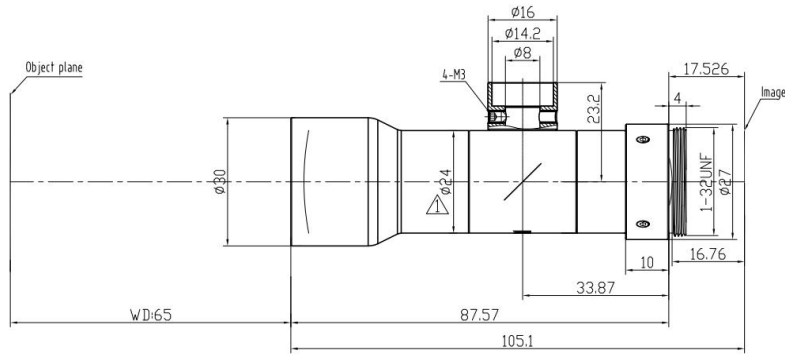
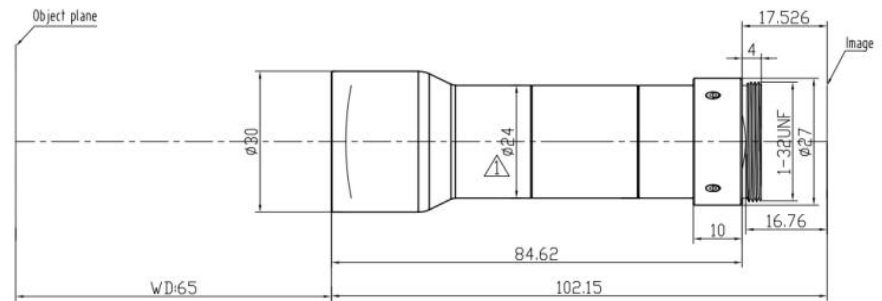


Low Magnification NIR STANDARD Telecentric Lens for 2/3"

Model	Spectrum (nm)	Light Type	Sensor Type	Magnification	Mag	W.D.	F.NO	Numerical Aperture	Telecentricity	TV Distortion	Depth Of Field(mm)	Object Resolution	TTL (mm)	Mount	2/3" FOV (D×H×V)	1/1.8" FOV (D×H×V)	1/2" FOV (D×H×V)	Dimensions (mm)	Weight (g)
SMT231R075W65C-L	400-1250 Low	Coaxial	2/3"	0.75X	0.75	65mm	9.5	0.04	<0.1°	<0.1%	0.760	7um	105.1	C	14.6×11.7×8.8	9.6×7.07	8.53×6.4	φ30×87.57	95.1
SMT231R075W65C-I	400-1250 High	Non-Coaxial	2/3"	0.75X	0.75	65mm	9.5	0.04	<0.1°	<0.1%	0.760	7um	102.15	C	14.6×11.7×8.8	9.6×7.07	8.53×6.4	φ30×84.62	79.3

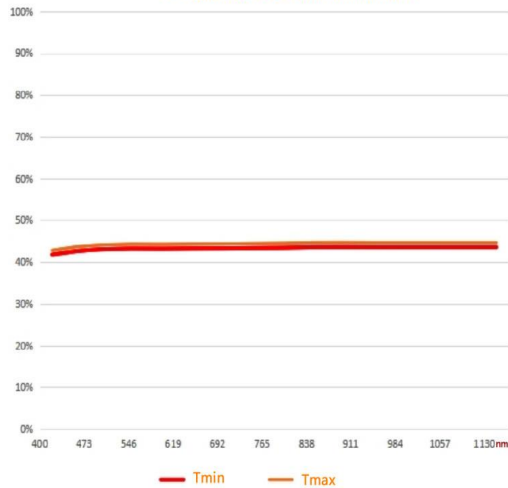


SMT231R075W65C-L

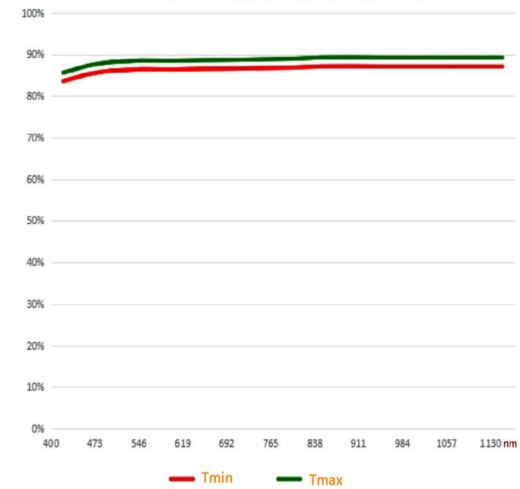


SMT231R075W65C-I

-L: Coaxial Type Spectral Transmittance

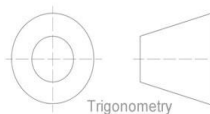


-I: Non-Coaxial Type Spectral Transmittance



Unit: mm

TOLERANCE :  
LINEARITY TOLERANCES: ±0.05  
ANGULAR TOLERANCES ARE: ±30'  
DRAFT ANGLES AREA: ±0.5°/SIDE



Trigonometry