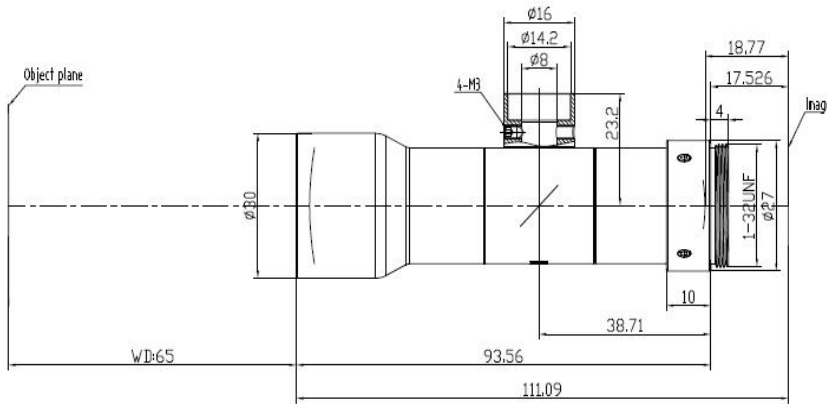
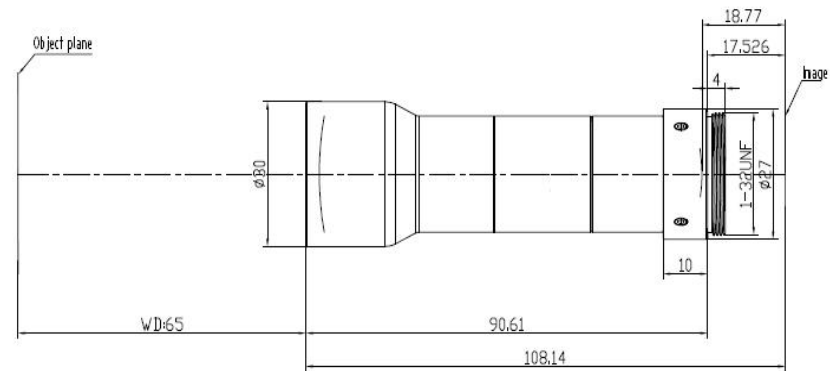


Low Magnification NIR STANDARD Telecentric Lens for 2/3"

Model	Spectrum (nm)	Light Type	Sensor Type	Magnification	Mag	W.D.	F.NO	Numerical Aperture	Telecentricity	TV Distortion	Depth Of Field(mm)	Object Resolution	TTL (mm)	Mount	2/3" FOV (D×H×V)	1/1.8" FOV (D×H×V)	1/2" FOV (D×H×V)	Dimensions (mm)	Weight (g)
MT231R1W65C-L	400-1250 Low	Coaxial	2/3"	1X	1	65mm	11	0.045	<0.1°	<0.1%	0.495	7.5um	111.09	C	11×8.8×6.6	7.2×5.3	6.4×4.8	φ30×93.56	103.3
MT231R1W65C-I	400-1250 High	Non-Coaxial	2/3"	1X	1	65mm	11	0.045	<0.1°	<0.1%	0.495	7.5um	108.14	C	11×8.8×6.6	7.2×5.3	6.4×4.8	φ30×90.61	86.9

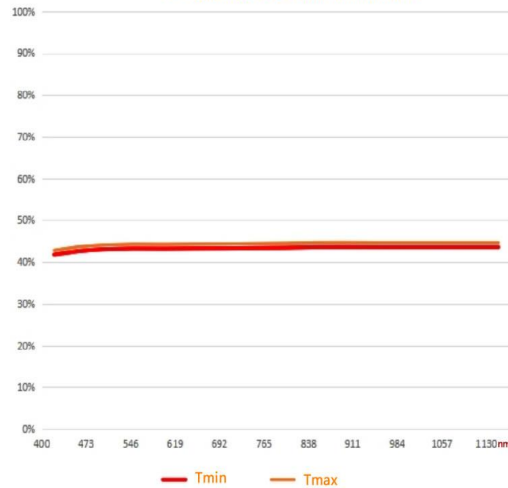


MT231R1W65C-L

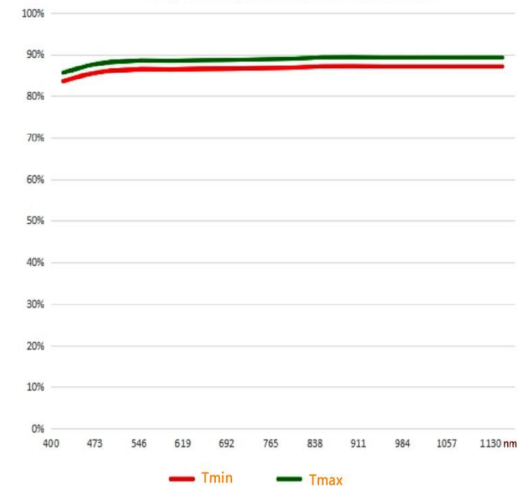


MT231R1W65C-I

-L: Coaxial Type Spectral Transmittance

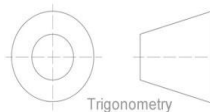


-I: Non-Coaxial Type Spectral Transmittance



Unit: mm

TOLERANCE :  
LINEARITY TOLERANCES: ±0.05  
ANGULAR TOLERANCES ARE: ±30'  
DRAFT ANGLES AREA: ±0.5°/SIDE



Trigonometry